



ELIS PLZEŇ a.s.



HEAT/COLD METERS IN WATER SONOTHERM SN3070

SONOTHERM SN3070

The SONOTHERM SN3070 heat/cold meters are intended for measurements of absolute heat/cold quantities delivered to customer plants or otherwise consumed in closed hot-water heating/cooling systems. When used as commercial meters, they can be located either at the input hot-water piping to heated buildings or premises, or at the output of heat sources before a heat exchanger.

The SONOTHERM heat/cold meter measures and stores information on heat quantity calculated from the water temperatures measured at the input and output piping by means of coupled resistance temperature sensors Pt 100 (Pt 500) and the heating/cooling water flow-rate measured by ultrasonic flow meter.

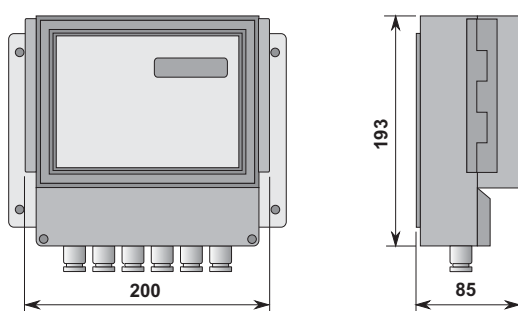
The heat/cold meters of the SONOTHERM SN3070 series are supplied in the following configuration:

- electronic unit MTU 2.00
- coupled resistance temperature sensors Pt 100 (Pt 500)
- ultrasonic sensor UC7.0 - SN3070

METER SPECIFICATIONS

| | |
|-----------------------------------|---|
| temperature range | 0 to 150°C (32° to 302°F) |
| min. temperature difference | 2°C (35.6°F) |
| nominal diameter / size | DN200 to DN1000 / 8" to 40" |
| flow-rate range | 0.05 to 23,000m ³ /h (0.22014 to 101266 Gal/min) |
| flow meter fitting position | input or output piping |
| accuracy class | 5 |
| display unit | LCD, 7+ 2 characters |
| communication | M-Bus, IR optocoupler |
| power supply | 230V ±10%, 50Hz, 6VA |
| protection class, UC 7.0 | IP54 |
| protection class, electronic unit | IP65 |
| optional accessories | M-Bus communication pulse output (energy or volume) or pulse input (scaler) or alarm back lighted display protection class of sensor IP68 |

ELECTRONIC UNIT MTU 2.00



SN3070 HEAT/COLD METER APPLICATION

